

Features

- Convenient, portable analyzer measures dew point within gases
- Planar capacitive sensor stored within desiccant chamber for fastest response
- Simple to switch sampling between dry storage environment and process stream
- Pressure dew point measurement range of -148°F to 68°F (-100°C to 20°C)
- User-selectable moisture measurement units
- Fully portable—powered by four common “D” batteries with automatic shut-off feature
- Two non-Intrinsically safe voltage outputs
- Optional pressure sensor

The DewPro MMY245 moisture analyzer is a convenient, portable instrument that can quickly spot check the performance of gas dryers for compressed air, breathing air, SF6 gas used in in power switches, and pure gas supplies. The planar capacitive sensor combines accurate dew point measurement with fast response time. The sensor is stored in a very dry environment within the analyzer between measurements, which speeds response time.

The DewPro MMY245 can be configured according to the desired moisture unit of measure, temperature unit of measure, or other operating parameters. An optional pressure sensor provides real-time correction for concentration units of measure or a pressure constant for use with stable pressure measurements. Voltage output 0 to 5 VDC is standard.

The DewPro MMY245 can serve as field validator for DewPro MMY transmitters.

DewPro® MMY245 Moisture Analyzer

DewPro MMY245 is a General Eastern product. General Eastern has joined other GE high-technology sensing businesses under a new name—GE Industrial, Sensing.



DewPro MMY245 Specifications

Operating Voltage

Battery powered—4 x “D” cells

External Dimensions Enclosure (l x w x d)

11 in x 8.17 in x 7.09 in (274 mm x 208 mm x 180 mm)

Weight

<7 lb (3.2 kg), including 4 common “D” size batteries

Display

Large, four-digit LCD display with rate of change bar graph indicator. Low battery indicator.

Enclosure

Impact-resistant plastic enclosure

Sensor

Planar, temperature compensated

Measurement Range

-148°F to 68°F (-100°C to 20°C) dew point temperature

Accuracy

±3.6°F (±2.0°C) dew point temperature at 77°F (25°C)

Readout Units Of Measure

Dew point °F or °C, ppm_v, lb/MMSCF, g/m³, g/kg, %RH

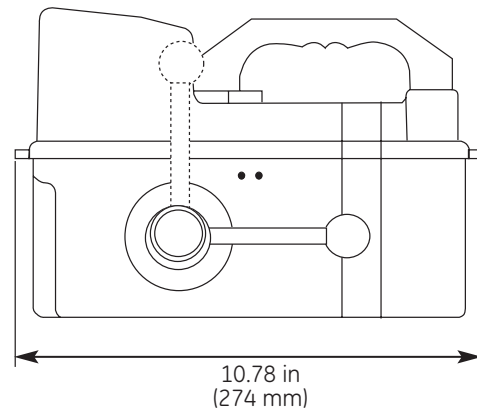
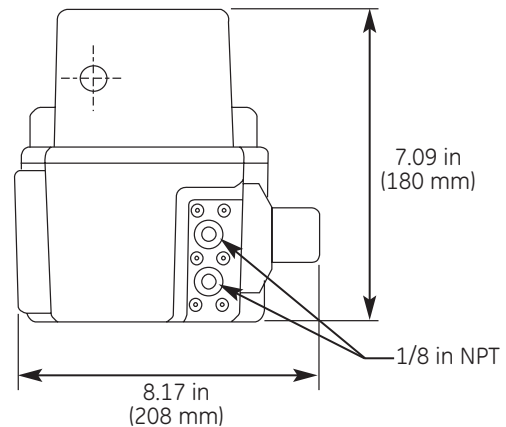
Secondary Readout Units Of Measure

Temperature °F or °C, pressure psig**, pressure psia**, pressure bar**, arbitrary scaled input voltage, plus all primary units of measure

**With optional pressure transducer

Maximum Pressure Rating

150 psig (10 bar)



DewPro MMY245 dimensions

Operating and Storage Temperature

-4°F to 122°F (-20°C to 50°C)

Resolution

0.1°C dew point temperature

Calibration

Factory recalibration recommended every six to 12 months depending on use or every three months if used for one point or two point connection of the MMY30 or MMY31 transmitters.



©2006 GE. All rights reserved.
920-067A

All specifications are subject to change for product improvement without notice.
DewPro® is a registered trademark of GE. GE® is a registered trademark of General Electric Co.

www.gesensing.com